

# Corrosion Resistant Chain



4

### Corrosion and Heat Resistance

#### Hydro-Service® Chains

Hydro-Service® chains possess a unique dual coating that offers superior corrosion protection compared to nickel or zinc plating. These chains perform exceptionally well in freshwater, saltwater, or other mild corrosive conditions. The strength and working load values of Hydro-Service® chains are the same as our standard series roller chains.

#### 300 Series Stainless Steel Chains

SS series stainless steel roller chains are made from AISI type 304 stainless steel to provide excellent corrosion protection. These versatile chains also operate successfully over a wide range of temperatures. The 304SS series is our standard stainless steel product.

#### 600 Series Stainless Steel Chains

The PHSS series offers improved wear resistance and only slightly reduced corrosion resistance than our standard 304SS series chains. Precipitation-hardened pins and rollers combine with special nitrogen treated in austenitic stainless steel bushings to provide excellent resistance to galling — a problem found in other chains that use precipitation-hardened 600 series stainless steel pins and bushings.

#### 316 Series Stainless Steel Chains

316SS series chains use parts made from AISI type 316 stainless steel for superior corrosion and heat resistance for the most difficult applications.

#### Nickel-Plated Chains

Nickel-Plated chains are well suited for outdoor service and/or mild corrosive applications. All components are plated prior to assembly to ensure uniform coverage.

#### Materials of Component Parts

Stainless Steel	Pin	Bushing	Roller	Link Plate
300SS	AISI 304	AISI 304	AISI 304	AISI 304
316SS	AISI 316	AISI 316	AISI 304	AISI 304
600SS	17-4 PH SS	17-4 PH SS	AISI 304	AISI 304

#### Performance of Corrosion Resistant Chains (Best = 1)

Chain	Corrosion Resistance	Temperature Resistance	Magnetism	Wear Resistance
Hydro-Service®	4	4	Magnetic	1
316SS	1	1	Non Magnetic	3
300SS	2	2	Slightly Magnetic	3
600SS	3	3	Magnetic	2
Nickel-Plated	5	4	Magnetic	1

## Powerful protection against corrosion

Renold Hydro-Service® Chain is specially coated to stand up to wet, humid, even saltwater operations. This chain lasts up to 30 times longer than conventionally coated chains without the risk of hydrogen embrittlement. If you need to run in wet environments, choose Hydro-Service®.

### Safety Coated for Your Operation

All components of Hydro-Service® Chains are mechanically coated prior to assembly to provide complete coverage and protection to all vital surfaces, including the pin/bushing interface. Mechanical plating maintains the integrity of the chain without risking the embrittlement that conventional plating can cause.

Unlike zinc or nickel plating, Hydro-Service® coating will not chip or peel. Unlike other coatings, Hydro-Service® contains no hexavalent chromium, a known carcinogen. Protect your processes and your people with Hydro-Service® Chains.

- Maximum corrosion resistance
- More than 30 times the corrosion protection compared with conventional surface treatments
- Same strength and working loads as carbon steel chains



## Lab Tests Confirm Corrosion Protection

60-day Outdoor Exposure	14-day Saltwater Immersion Test	
		Hydro-Service®
		Nickel-Plated
		Carbon Steel
After 60 days of outdoor exposure, Hydro-Service® demonstrates the rust resistance that makes it the chain of choice.	After 14 days in and out of 5% saltwater solution (equivalent to sea water), Hydro-Service® clearly outlasts nickel-plated and carbon steel chain.	

### Put Hydro-Service® to Work

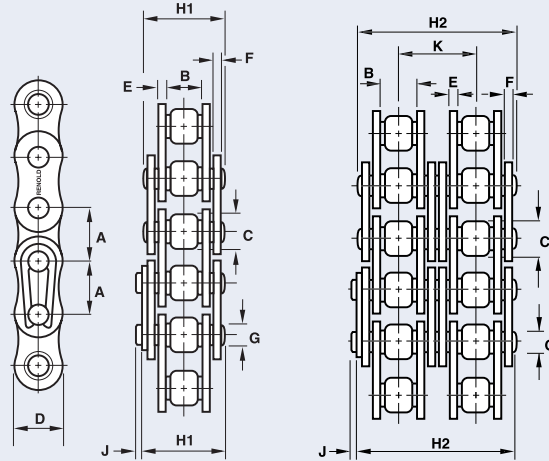
- Packaging
- Food processing
- Bottling
- Sea water environments
- Meat and poultry processing plants
- Vegetable processing plants
- Seafood processing plants
- Washdown equipment
- Outdoor applications

**Hydro-Service®**  
Superior corrosion resistance for chains

## Hydro-Service® Chain

Corrosion Resistant

Renold Hydro-Service® chains are treated with a mechanical zinc-plating process plus additional coatings for extra corrosion protection. This special coating offers corrosion resistance that is far superior to standard nickel or zinc plating and is ideal for wet, humid, saltwater, and other moisture-related applications. Hydro-Service® contains no hexavalent chromium, which means it is safe and environmentally friendly. All components are treated prior to assembly to achieve full coverage of all vital surfaces, which improves chain wear life and protects against corrosion-related pin and bush failures. This extremely durable coating will not chip or peel for long-term, exceptional corrosion protection.



### Hydro-Service® ANSI Single-Strand Roller Chain

Dimensions are in inches unless otherwise indicated.

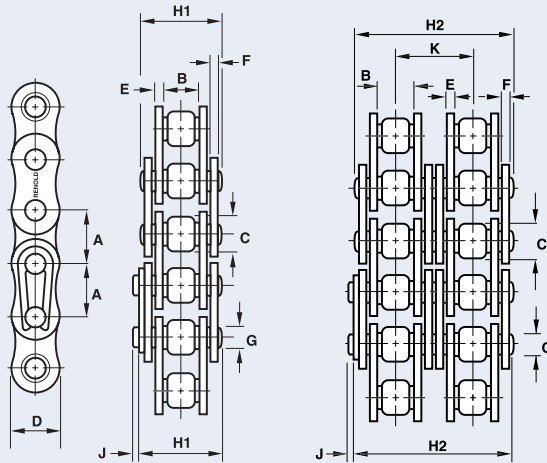
Chain No.	Pitch	Inside Width Max	Roller Diam Max	Plate Height Max	Inner Plate Thick Max	Outer Plate Thick Max	Pin Diam Max	Pin Length Max	Conn Link Exten Max	Trans Pitch	Tensile Strength Min	Rated Working Load	Weight
	A	B	C	D	E	F	G	H1	J	K	Lbs	Lbs	Lbs/Ft
*35HSC	0.375	0.184	0.200	0.356	0.050	0.050	0.141	0.473	0.043	—	1,760	480	0.23
40HSC	0.500	0.309	0.312	0.475	0.060	0.060	0.156	0.646	0.055	—	3,125	810	0.40
50HSC	0.625	0.370	0.400	0.594	0.080	0.080	0.201	0.804	0.043	—	4,880	1,400	0.67
60HSC	0.750	0.495	0.469	0.713	0.094	0.094	0.235	0.997	0.043	—	7,030	1,950	0.98
80HSC	1.000	0.620	0.625	0.950	0.125	0.125	0.313	1.288	0.118	—	12,500	3,300	1.88
100HSC	1.250	0.744	0.750	1.188	0.156	0.156	0.375	1.564	0.165	—	19,530	5,060	2.81
120HSC	1.500	0.993	0.875	1.425	0.187	0.187	0.438	1.942	0.209	—	28,125	6,800	3.82
140HSC	1.750	0.993	1.000	1.663	0.219	0.219	0.500	2.084	0.205	—	38,280	9,000	5.23
160HSC	2.000	1.242	1.125	1.900	0.250	0.250	0.563	2.486	0.256	—	50,000	11,900	6.97

### Hydro-Service® ANSI Double-Strand Roller Chain

Chain No.	Pitch	Inside Width Max	Roller Diam Max	Plate Height Max	Inner Plate Thick Max	Outer Plate Thick Max	Pin Diam Max	Pin Length Max	Conn Link Exten Max	Trans Pitch	Tensile Strength Min	Rated Working Load	Weight
	A	B	C	D	E	F	G	H2	J	K	Lbs	Lbs	Lbs/Ft
*35-2HSC	0.375	0.184	0.200	0.356	0.050	0.050	0.141	0.875	0.043	0.399	3,520	810	0.47
40-2HSC	0.500	0.309	0.312	0.475	0.060	0.060	0.156	1.214	0.055	0.566	6,250	1,370	0.80
50-2HSC	0.625	0.370	0.400	0.595	0.080	0.080	0.201	1.513	0.043	0.713	9,760	2,380	1.34
60-2HSC	0.750	0.495	0.469	0.713	0.094	0.094	0.235	1.895	0.043	0.897	14,060	3,315	1.98
80-2HSC	1.000	0.620	0.625	0.950	0.125	0.125	0.313	2.439	0.118	1.153	25,000	5,610	3.69
100-2HSC	1.250	0.744	0.750	1.188	0.156	0.156	0.375	2.971	0.165	1.408	39,060	8,600	5.63
120-2HSC	1.500	0.993	0.875	1.425	0.187	0.187	0.438	3.731	0.209	1.789	56,250	11,560	7.37
140-2HSC	1.750	0.993	1.000	1.663	0.219	0.219	0.500	4.011	0.205	1.924	76,560	15,300	10.39
160-2HSC	2.000	1.242	1.125	1.900	0.250	0.250	0.563	4.791	0.256	2.305	100,000	20,230	13.80

\*Rollerless Chain





Hydro-Service® British Standard roller chain is made in accordance with ISO 606 B, BS 228, and DIN 8187 European standards. These chains resemble standard ANSI roller chains, but are dimensionally different and in general do NOT operate over standard ANSI sprockets. Hydro-Service® British Standard roller chains are made with the same unique features and incorporate all the design advantages of Hydro-Service® ANSI chains.

## Hydro-Service® British Standard Single-Strand Roller Chain

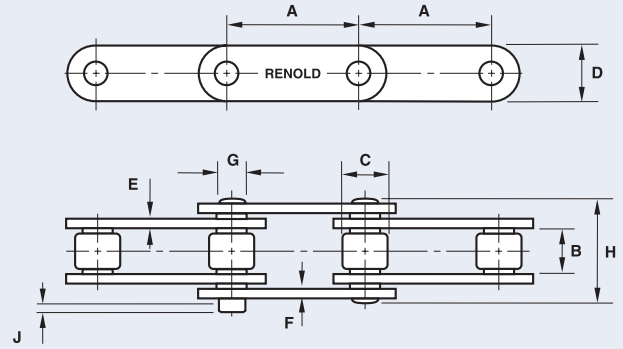
Dimensions are in inches unless otherwise indicated.

Chain No.	Pitch	Inside Width Max	Roller Diam Max	Plate Height Max	Inner Plate Thick Max	Outer Plate Thick Max	Pin Diam Max	Pin Length Max	Conn Link Exten Max	Trans Pitch	Tensile Strength Min	Rated Working Load	Weight
	A	B	C	D	E	F	G	H1	J	K	Lbs	Lbs	Lbs/Ft
06BHSC	0.375	0.225	0.250	0.325	0.051	0.041	0.129	0.493	0.051	—	2,001	395	0.26
08BHSC	0.500	0.305	0.335	0.465	0.061	0.061	0.175	0.650	0.059	—	4,001	700	0.47
10BHSC	0.625	0.380	0.400	0.580	0.061	0.061	0.200	0.741	0.051	—	4,991	1,100	0.62
12BHSC	0.750	0.460	0.476	0.636	0.071	0.071	0.225	0.863	0.043	—	6,497	1,575	0.80
16BHSC	1.000	0.671	0.626	0.831	0.162	0.122	0.326	1.375	0.087	—	13,488	2,810	1.88
20BHSC	1.250	0.771	0.751	1.041	0.182	0.142	0.401	1.568	0.106	—	21,356	4,370	2.58
24BHSC	1.500	1.001	1.001	1.316	0.240	0.200	0.576	2.072	0.268	—	35,968	6,130	4.99

## Hydro-Service® British Standard Double-Strand Roller Chain

Chain No.	Pitch	Inside Width Max	Roller Diam Max	Plate Height Max	Inner Plate Thick Max	Outer Plate Thick Max	Pin Diam Max	Pin Length Max	Conn Link Exten Max	Trans Pitch	Tensile Strength Min	Rated Working Load	Weight
	A	B	C	D	E	F	G	H2	J	K	Lbs	Lbs	Lbs/Ft
06B-2HSC	0.375	0.225	0.250	0.325	0.051	0.041	0.129	0.906	0.051	0.403	3,799	670	0.50
08B-2HSC	0.500	0.305	0.335	0.465	0.061	0.061	0.175	1.198	0.059	0.548	6,991	1,185	0.92
10B-2HSC	0.625	0.380	0.400	0.580	0.061	0.061	0.200	1.395	0.051	0.654	10,004	1,870	1.21
12B-2HSC	0.750	0.460	0.476	0.636	0.071	0.071	0.225	1.631	0.043	0.767	12,993	2,680	1.61
16B-2HSC	1.000	0.671	0.626	0.831	0.162	0.122	0.326	2.632	0.087	1.256	23,829	4,780	3.69
20B-2HSC	1.250	0.771	0.751	1.041	0.182	0.142	0.401	3.022	0.106	1.436	38,216	7,430	5.23
24B-2HSC	1.500	1.001	1.001	1.316	0.240	0.200	0.576	3.991	0.268	1.905	62,944	10,270	9.92

Hydro-Service® Double Pitch conveyor chains are ideally suited for light- to medium-duty applications that require superior corrosion protection, such as in wet, humid, saltwater, and other moisture-related applications. These chains are available in the C2000 (standard roller) and C2002 (large roller) series. C2000 series link plates are straight and unbeveled and the construction of the roller and link plates are identical to improve sliding wear properties. C2002 series chains have large (oversize) rollers that minimize friction across the supporting surface to reduce wear and power requirements in heavier-duty applications.



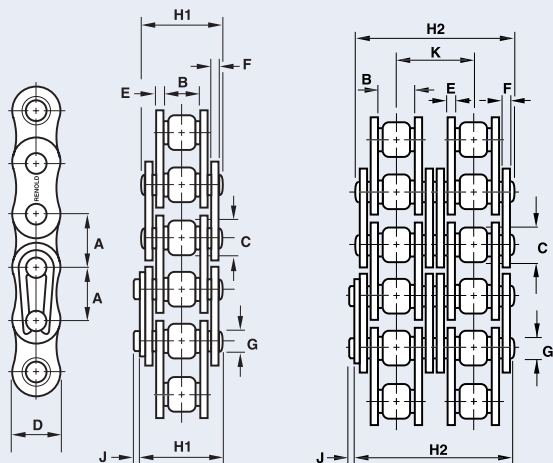
### Hydro-Service® Double Pitch Conveyor Series Chain — Standard Roller

Chain No.	Pitch	Inside Width Max	Roller Diam Max	Plate Height Max	Inner Plate Thick Max	Outer Plate Thick Max	Pin Diam Max	Pin Length Max	Conn Link Exten Max	Trans Pitch	Tensile Strength Min	Rated Working Load	Weight
	A	B	C	D	E	F	G	H	J	K	Lbs	Lbs	Lbs/Ft
C2040HSC	1.000	0.309	0.312	0.475	0.060	0.060	0.156	0.701	0.055	—	3,125	810	0.34
C2050HSC	1.250	0.370	0.400	0.594	0.080	0.080	0.200	0.859	0.043	—	4,880	1,400	0.56
C2060HSC	1.500	0.495	0.469	0.713	0.125	0.125	0.235	1.127	0.043	—	7,030	2,200	0.96
C2080HSC	2.000	0.620	0.625	0.950	0.156	0.156	0.313	1.458	0.118	—	12,500	3,600	1.62
C2100HSC	2.500	0.744	0.750	1.188	0.187	0.187	0.375	1.738	0.165	—	19,530	5,500	2.32
C2120HSC	3.000	0.993	0.875	1.425	0.219	0.219	0.437	2.070	0.209	—	28,125	7,300	3.30
C2160HSC	4.000	1.242	1.125	1.900	0.281	0.281	0.563	2.699	0.256	—	50,000	12,600	5.36

### Hydro-Service® Double Pitch Conveyor Series Chain — Large Roller

Chain No.	Pitch	Inside Width Max	Roller Diam Max	Plate Height Max	Inner Plate Thick Max	Outer Plate Thick Max	Pin Diam Max	Pin Length Max	Conn Link Exten Max	Trans Pitch	Tensile Strength Min	Rated Working Load	Weight
	A	B	C	D	E	F	G	H	J	K	Lbs	Lbs	Lbs/Ft
C2042HSC	1.000	0.309	0.625	0.475	0.060	0.060	0.156	0.701	0.055	—	3,125	810	0.55
C2052HSC	1.250	0.370	0.750	0.594	0.080	0.080	0.200	0.859	0.043	—	4,880	1,400	0.84
C2062HSC	1.500	0.495	0.875	0.713	0.125	0.125	0.235	1.127	0.043	—	7,030	2,200	1.36
C2082HSC	2.000	0.620	1.125	0.950	0.156	0.156	0.313	1.458	0.118	—	12,500	3,600	2.25
C2102HSC	2.500	0.744	1.562	1.188	0.187	0.187	0.375	1.738	0.165	—	19,530	5,500	3.79
C2122HSC	3.000	0.993	1.750	1.425	0.219	0.219	0.437	2.070	0.209	—	28,125	7,300	5.29
C2162HSC	4.000	1.242	2.250	1.900	0.281	0.281	0.563	2.699	0.256	—	50,000	12,600	8.58

Dimensions are in inches unless otherwise indicated.



Renold Stainless Steel roller chains are manufactured using Class-300 series stainless steel. These chains are ideal in acidic or alkaline environments, or when the chain will be exposed to water, and in very high or very low temperatures, where resistance to corrosion is a requirement.

Choose Renold Stainless Steel chain when resistance to chemical action is critical. The chain is manufactured using FDA-approved material and is prelubricated with USDA H1-approved lubricant.

### Stainless Steel ANSI Single-Strand Roller Chain

Dimensions are in inches unless otherwise indicated.

Chain No.	Pitch	Inside Width Max	Roller Diam Max	Plate Height Max	Inner Plate Thick Max	Outer Plate Thick Max	Pin Diam Max	Pin Length Max	Conn Link Exten Max	Trans Pitch	Tensile Strength Min	Rated Working Load		Weight
												300SS 316SS	600SS	
	A	B	C	D	E	F	G	H1	J	K	Lbs	Lbs	Lbs	Lbs/Ft
*25SS	0.250	0.122	0.130	0.237	0.030	0.030	0.091	0.359	0.031	—	562	50	—	0.09
*35SS	0.375	0.184	0.200	0.356	0.050	0.050	0.141	0.473	0.043	—	1,708	115	160	0.22
40SS	0.500	0.309	0.312	0.475	0.060	0.060	0.156	0.646	0.055	—	2,403	190	260	0.40
50SS	0.625	0.370	0.400	0.594	0.080	0.080	0.201	0.804	0.043	—	3,779	300	410	0.67
60SS	0.750	0.495	0.469	0.713	0.094	0.094	0.235	0.997	0.043	—	6,744	450	620	1.01
80SS	1.000	0.620	0.625	0.950	0.125	0.125	0.313	1.288	0.118	—	11,465	770	1,040	1.74
100SS	1.250	0.744	0.750	1.188	0.156	0.156	0.375	1.564	0.165	—	13,713	1,130	1,530	2.81
120SS	1.500	0.993	0.875	1.425	0.187	0.187	0.438	1.942	0.209	—	20,906	1,700	2,300	3.82

### Stainless Steel ANSI Double-Strand Roller Chain

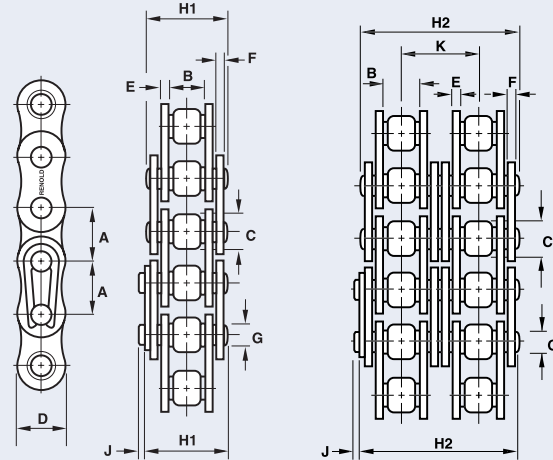
Chain No.	Pitch	Inside Width Max	Roller Diam Max	Plate Height Max	Inner Plate Thick Max	Outer Plate Thick Max	Pin Diam Max	Pin Length Max	Conn Link Exten Max	Trans Pitch	Tensile Strength Min	Rated Working Load		Weight
												300SS 316SS	600SS	
	A	B	C	D	E	F	G	H2	J	K	Lbs	Lbs	Lbs	Lbs/Ft
*35-2SS	0.375	0.184	0.200	0.356	0.050	0.050	0.141	0.875	0.043	0.399	3,417	230	320	0.47
40-2SS	0.500	0.309	0.312	0.475	0.060	0.060	0.156	1.214	0.055	0.566	5,267	380	520	0.92
50-2SS	0.625	0.370	0.400	0.594	0.080	0.080	0.201	1.513	0.043	0.713	6,616	600	820	1.21
60-2SS	0.750	0.495	0.469	0.713	0.094	0.094	0.235	1.895	0.043	0.897	8,381	900	1,240	1.61
80-2SS	1.000	0.620	0.625	0.950	0.125	0.125	0.313	2.439	0.118	1.153	22,705	1,540	2,080	3.35

\*Rollerless Chain

## Stainless Steel Chain

Corrosion Resistant

Stainless Steel British Standard roller chain is made in accordance with ISO 606 B, BS 228, and DIN 8187 European standards. These chains resemble standard ANSI roller chains, but are dimensionally different and in general do NOT operate over standard ANSI sprockets. Renold Stainless Steel British Standard roller chains are made with the same unique features and incorporate all the design advantages of Stainless Steel ANSI chains.



### Stainless Steel British Standard Single-Strand Roller Chain

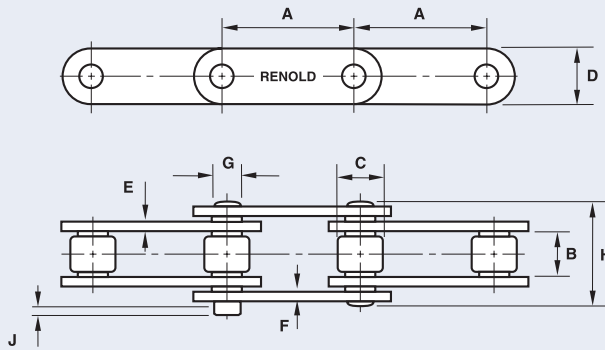
Dimensions are in inches unless otherwise indicated.

Chain No.	Pitch	Inside Width Max	Roller Diam Max	Plate Height Max	Inner Plate Thick Max	Outer Plate Thick Max	Pin Diam Max	Pin Length Max	Conn Link Exten Max	Trans Pitch	Tensile Strength Min	Rated Working Load		Weight
												300SS 316SS	600SS	
	A	B	C	D	E	F	G	H1	J	K	Lbs	Lbs	Lbs	Lbs/Ft
06BSS	0.375	0.225	0.250	0.325	0.051	0.041	0.129	0.493	0.051	—	1,540	55	75	0.27
08BSS	0.500	0.305	0.335	0.465	0.061	0.061	0.175	0.650	0.059	—	2,698	110	150	0.47
10BSS	0.625	0.380	0.400	0.580	0.061	0.061	0.200	0.741	0.051	—	3,305	150	200	0.64
12BSS	0.750	0.460	0.476	0.636	0.071	0.071	0.225	0.863	0.043	—	4,190	195	265	0.84
16BSS	1.000	0.671	0.626	0.831	0.162	0.122	0.326	1.375	0.087	—	9,702	465	625	1.81

### Stainless Steel British Standard Double-Strand Roller Chain

Chain No.	Pitch	Inside Width Max	Roller Diam Max	Plate Height Max	Inner Plate Thick Max	Outer Plate Thick Max	Pin Diam Max	Pin Length Max	Conn Link Exten Max	Trans Pitch	Tensile Strength Min	Rated Working Load		Weight
												300SS 316SS	600SS	
	A	B	C	D	E	F	G	H2	J	K	Lbs	Lbs	Lbs	Lbs/Ft
06B-2SS	0.375	0.225	0.250	0.325	0.051	0.041	0.129	0.906	0.051	0.403	2,731	110	150	0.52
08B-2SS	0.500	0.305	0.335	0.465	0.061	0.061	0.175	1.198	0.059	0.548	5,292	220	300	0.90
10B-2SS	0.625	0.380	0.400	0.580	0.061	0.061	0.200	1.395	0.051	0.654	6,609	300	400	1.24
12B-2SS	0.750	0.460	0.476	0.636	0.071	0.071	0.225	1.631	0.043	0.767	8,381	390	530	1.68
16B-2SS	1.000	0.671	0.626	0.831	0.162	0.122	0.326	2.632	0.087	1.256	19,405	930	1,250	3.62





Renold Stainless Steel Double Pitch conveyor chains are ideally suited for light- to medium-duty applications that require superior corrosion protection and heat resistance. These chains are available in the C2000 (standard roller) and C2002 (large roller) series. C2000 series link plates are straight and unbeveled and the construction of the roller and link plates are identical to improve sliding wear properties. C2002 series chains have large (oversize) rollers that minimize friction across the supporting surface to reduce wear and power requirements in heavier-duty applications.

## Stainless Steel Double Pitch Conveyor Series Chain — Standard Roller

Chain No.	Pitch	Inside Width Max	Roller Diam Max	Plate Height Max	Inner Plate Thick Max	Outer Plate Thick Max	Pin Diam Max	Pin Length Max	Conn Link Exten Max	Trans Pitch	Tensile Strength Min	Rated Working Load		Weight
												300SS 316SS	600SS	
	A	B	C	D	E	F	G	H	J	K	Lbs	Lbs	Lbs	Lbs/Ft
C2040SS	1.000	0.309	0.312	0.475	0.060	0.060	0.156	0.701	0.055	—	2,403	190	260	0.34
C2050SS	1.300	0.370	0.400	0.594	0.080	0.080	0.200	0.859	0.043	—	3,779	300	410	0.56
C2060SS	1.500	0.495	0.469	0.713	0.125	0.125	0.235	1.127	0.043	—	5,402	500	675	0.96
C2080SS	2.000	0.620	0.625	0.950	0.156	0.156	0.313	1.458	0.118	—	10,790	800	1,080	1.57
C2100SS	2.500	0.744	0.750	1.188	0.187	0.187	0.375	1.738	0.165	—	8,452	1,200	1,620	2.32
C2120SS	3.000	0.993	0.875	1.425	0.219	0.219	0.437	2.070	0.209	—	11,431	1,790	2,415	3.30
C2160SS	4.000	1.242	1.125	1.900	0.281	0.281	0.563	2.699	0.256	—	18,883	2,890	3,900	5.36

## Stainless Steel Double Pitch Conveyor Series Chain — Large Roller

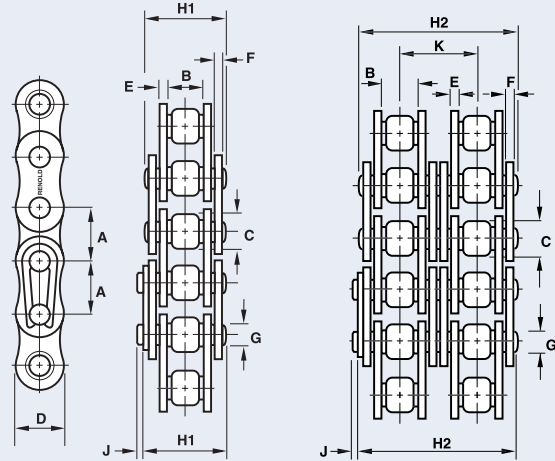
Chain No.	Pitch inch	Inside Width Max	Roller Diam Max	Plate Height Max	Inner Plate Thick Max	Outer Plate Thick Max	Pin Diam Max	Pin Length Max	Conn Link Exten Max	Trans Pitch	Tensile Strength Min	Rated Working Load		Weight
												300SS 316SS	600SS	
	A	B	C	D	E	F	G	H	J	K	Lbs	Lbs	Lbs	Lbs/Ft
C2042SS	1.000	0.309	0.625	0.475	0.060	0.060	0.156	0.701	0.055	—	2,403	190	260	0.57
C2052SS	1.250	0.370	0.750	0.594	0.080	0.080	0.200	0.859	0.043	—	3,779	300	410	0.86
C2062SS	1.500	0.495	0.875	0.713	0.125	0.125	0.235	1.127	0.043	—	5,402	500	675	1.43
C2082SS	2.000	0.620	1.125	0.950	0.156	0.156	0.313	1.458	0.118	—	10,790	800	1080	2.26
C2102SS	2.500	0.744	1.562	1.188	0.187	0.187	0.375	1.738	0.165	—	8,452	1,200	1,620	3.80
C2122SS	3.000	0.993	1.750	1.425	0.219	0.219	0.437	2.070	0.209	—	11,431	1,790	2,415	5.30
C2162SS	4.000	1.242	2.250	1.900	0.281	0.281	0.563	2.699	0.256	—	18,883	2,890	3,900	8.60

Dimensions are in inches unless otherwise indicated.

## Nickel-Plated Chain

Corrosion Resistant

Nickel-Plated chains are well-suited for outdoor service and/or mild corrosive applications. All components are plated prior to assembly to ensure uniform coverage.



### Nickel-Plated ANSI Single-Strand Roller Chain

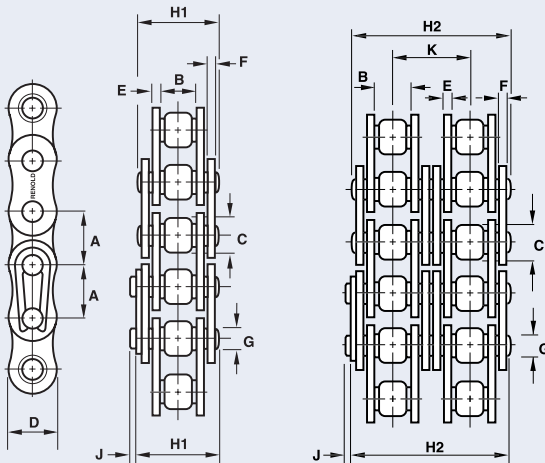
Dimensions are in inches unless otherwise indicated.

Chain No.	Pitch	Inside Width Max	Roller Diam Max	1.425Plate Height Max	Inner Plate Thick Max	Outer Plate Thick Max	Pin Diam Max	Pin Length Max	Conn Link Exten Max	Trans Pitch	Tensile Strength Min	Rated Working Load	Weight
	A	B	C	D	E	F	G	H1	J	K	Lbs	Lbs	Lbs/Ft
*35NP	0.375	0.184	0.200	0.356	0.050	0.050	0.141	0.473	0.043	—	1,760	480	0.23
40NP	0.500	0.309	0.312	0.475	0.060	0.060	0.156	0.646	0.055	—	3,125	810	0.40
50NP	0.625	0.370	0.400	0.594	0.080	0.080	0.201	0.804	0.043	—	4,880	1,400	0.67
60NP	0.750	0.495	0.469	0.713	0.094	0.094	0.235	0.997	0.043	—	7,030	1,950	0.98
80NP	1.000	0.620	0.625	0.950	0.125	0.125	0.313	1.288	0.118	—	12,500	3,300	1.88
100NP	1.250	0.744	0.750	1.188	0.156	0.156	0.375	1.564	0.165	—	19,530	5,060	2.81
120NP	1.500	0.993	0.875	1.425	0.187	0.187	0.438	1.942	0.209	—	28,125	6,800	3.82

### Nickel-Plated ANSI Double-Strand Roller Chain

Chain No.	Pitch	Inside Width Max	Roller Diam Max	Plate Height Max	Inner Plate Thick Max	Outer Plate Thick Max	Pin Diam Max	Pin Length Max	Conn Link Exten Max	Trans Pitch	Tensile Strength Min	Rated Working Load	Weight
	A	B	C	D	E	F	G	H2	J	K	Lbs	Lbs	Lbs/Ft
*35-2NP	0.375	0.184	0.200	0.356	0.050	0.050	0.141	0.875	0.043	0.399	3,520	810	0.47
40-2NP	0.500	0.309	0.312	0.475	0.060	0.060	0.156	1.214	0.055	0.566	6,250	1,370	0.80
50-2NP	0.625	0.370	0.400	0.595	0.080	0.080	0.201	1.513	0.043	0.713	9,760	2,380	1.34
60-2NP	0.750	0.495	0.469	0.713	0.094	0.094	0.235	1.895	0.043	0.897	14,060	3,315	1.98
80-2NP	1.000	0.620	0.625	0.950	0.125	0.125	0.313	2.439	0.118	1.153	25,000	5,610	3.69
100-2NP	1.250	0.744	0.750	1.188	0.156	0.156	0.375	2.971	0.165	1.408	39,060	8,600	5.63
120-2NP	1.500	0.993	0.875	1.425	0.187	0.187	0.438	3.731	0.209	1.789	56,250	11,560	7.37

\*Rollerless Chain



Nickel-Plated British Standard roller chain is made in accordance with ISO 606 B, BS 228, and DIN 8187 European standards. These chains resemble standard ANSI roller chains, but are dimensionally different and in general do NOT operate over standard ANSI sprockets. Renold Nickel-Plated British Standard roller chains are made with the same unique features and incorporate all the design advantages of Nickel-Plated ANSI chains.

## Nickel-Plated British Standard Single-Strand Roller Chain

Dimensions are in inches unless otherwise indicated.

Chain No.	Pitch	Inside Width Max	Roller Diam Max	Plate Height Max	Inner Plate Thick Max	Outer Plate Thick Max	Pin Diam Max	Pin Length Max	Conn Link Exten Max	Trans Pitch	Tensile Strength Min	Rated Working Load	Weight
	A	B	C	D	E	F	G	H1	J	K	Lbs	Lbs	Lbs/Ft
06BNP	0.375	0.225	0.250	0.325	0.051	0.041	0.129	0.493	0.051	—	2,001	395	0.26
08BNP	0.500	0.305	0.335	0.465	0.061	0.061	0.175	0.650	0.059	—	4,001	700	0.47
10BNP	0.625	0.380	0.400	0.580	0.061	0.061	0.200	0.741	0.051	—	4,991	1,100	0.62
12BNP	0.750	0.460	0.476	0.636	0.071	0.071	0.225	0.863	0.043	—	6,497	1,575	0.80
16BNP	1.000	0.671	0.626	0.831	0.162	0.122	0.326	1.375	0.087	—	13,488	2,810	1.88
20BNP	1.250	0.771	0.751	1.041	0.182	0.142	0.401	1.568	0.106	—	21,356	4,370	2.58
24BNP	1.500	1.001	1.001	1.316	0.240	0.200	0.576	2.072	0.268	—	35,968	6,130	4.99

## Nickel-Plated British Standard Double-Strand Roller Chain

Chain No.	Pitch	Inside Width Max	Roller Diam Max	Plate Height Max	Inner Plate Thick Max	Outer Plate Thick Max	Pin Diam Max	Pin Length Max	Conn Link Exten Max	Trans Pitch	Tensile Strength Min	Rated Working Load	Weight
	A	B	C	D	E	F	G	H2	J	K	Lbs	Lbs	Lbs/Ft
06B-2NP	0.375	0.225	0.250	0.325	0.051	0.041	0.129	0.906	0.051	0.403	3,799	670	0.50
08B-2NP	0.500	0.305	0.335	0.465	0.061	0.061	0.175	1.198	0.059	0.548	6,991	1,185	0.92
10B-2NP	0.625	0.380	0.400	0.580	0.061	0.061	0.200	1.395	0.051	0.654	10,004	1,870	1.21
12B-2NP	0.750	0.460	0.476	0.636	0.071	0.071	0.225	1.631	0.043	0.767	12,993	2,680	1.61
16B-2NP	1.000	0.671	0.626	0.831	0.162	0.122	0.326	2.632	0.087	1.256	23,829	4,780	3.69
20B-2NP	1.250	0.771	0.751	1.041	0.182	0.142	0.401	3.022	0.106	1.436	38,216	7,430	5.23
24B-2NP	1.500	1.001	1.001	1.316	0.240	0.200	0.576	3.991	0.268	1.905	62,944	10,270	9.92

