



Self-Lubricated Chain

3

- Maintenance free
- Maximum performance
- Extended service life

Renold Syno® sets new standards for a complete range of clean-running chain applications — uncompromised performance with no additional lubrication. Consider Renold Syno® for:

- Food
- Bottling
- Electronics
- Pharmaceuticals
- Packaging
- Paper
- Textile
- Sawmills
- Mixers
- Car Assembly

Syno® Small Pitch Chain when cleanliness is critical

ANSI 40 to 100, British Standard 06B to 24B, and C2040 to C2080

Both the lubricant within the sintered bushing and the coating on the roller are food-industry approved. Improved, electroless nickel-plating on the plates won't chip or peel, for ultimate performance in the food sector and beyond.

- Dry to the touch
- Never needs lubrication
- Resistant to corrosion
- Excellent fatigue and wear resistance
- USDA H-1 approved lubricant
- Interchangeable with standard roller chain
- Runs on standard sprockets
- Available in single and double strand
- Standard attachments available on outer links



Syno® Large Pitch Chain for heavy-duty applications

ANSI 120 to 200 and British Standard 28B to 40B

Developed specifically for Renold Jeffrey — a highly durable polymer sleeve between the pin and bushing combats wear and fatigue. Combined with a heavy-duty polymer roller, Renold Syno® is ideal for high-load, washdown, and outdoor environments.

- Superior corrosion resistance
- Completely lube free
- Impact and load resistant
- Resists wear and fatigue
- Available in single and double strand
- Attachments available

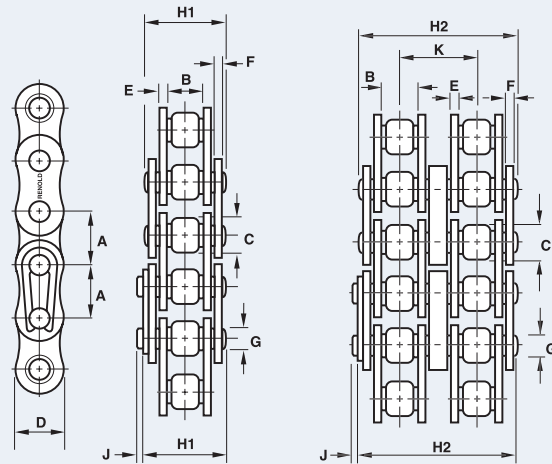


RENOLD Syno®

All the Performance Without Additional Lube

New, improved Syno® protects products and processes. Lubrication can cause contaminants to stick to bearing areas, compromising product and seizing up chain lines. Renold Syno® sets a new benchmark for lube-free chain performance.

Syno® Small Pitch chains offer uncompromised performance with no additional lubrication. Use small-pitch Syno® when cleanliness is critical. Both the lubricant within the sintered bushing and the coating on the roller are food-industry approved. Improved, electroless nickel-plating on the plates won't chip or peel, for ultimate performance in the food sector and beyond. Small-pitch Syno® is dry to the touch, resists corrosion, and is interchangeable with ANSI standard chain.



Syno® Single-Strand Roller Chain — Small Pitch

Dimensions are in inches unless otherwise indicated.

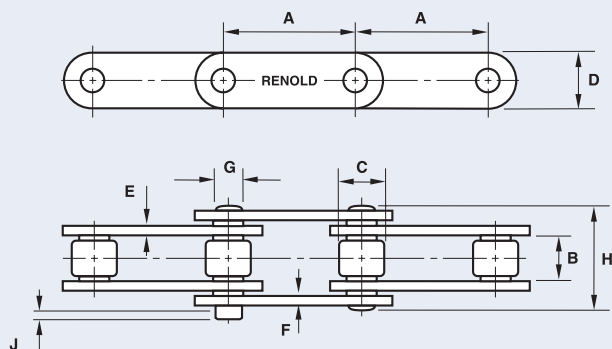
Chain No.	Renold No.	Pitch	Inside Width Max	Roller Diam Max	Plate Height Max	Inner Plate Thick Max	Outer Plate Thick Max	Pin Diam Max	Pin Length Max	Conn Link Exten Max	Trans Pitch	Tensile Strength Max	Rated Working Load	Weight
		A	B	C	D	E	F	G	H1	J	K	Lbs	Lbs	Lbs/Ft
40SYNO	119443	0.500	0.309	0.312	0.461	0.071	0.060	0.156	0.665	0.055	—	3,125	810	0.45
50SYNO	119453	0.625	0.370	0.400	0.575	0.095	0.080	0.200	0.831	0.043	—	4,880	1,400	0.75
60SYNO	119463	0.750	0.495	0.469	0.689	0.127	0.094	0.235	1.063	0.043	—	7,030	1,950	1.16
80SYNO	119483	1.000	0.620	0.625	0.905	0.160	0.125	0.313	1.327	0.118	—	12,500	3,300	1.94
100SYNO	119503	1.250	0.744	0.750	0.996	0.176	0.164	0.375	1.598	0.165	—	19,530	5,060	2.45

Syno® Double-Strand Roller Chain — Small Pitch

Chain No.	Renold No.	Pitch	Inside Width Max	Roller Diam Max	Plate Height Max	Inner Plate Thick Max	Outer Plate Thick Max	Pin Diam Max	Pin Length Max	Conn Link Exten Max	Trans Pitch	Tensile Strength Max	Rated Working Load	Weight
		A	B	C	D	E	F	G	H2	J	K	Lbs	Lbs	Lbs/Ft
40-2SYNO	115443	0.500	0.309	0.312	0.461	0.071	0.060	0.156	1.232	0.055	0.566	6,250	1,370	0.87
50-2SYNO	115453	0.625	0.370	0.400	0.575	0.095	0.080	0.200	1.543	0.043	0.713	9,760	2,380	1.41
60-2SYNO	115463	0.750	0.495	0.469	0.689	0.127	0.094	0.235	1.961	0.043	0.897	14,060	3,315	2.32
80-2SYNO	115483	1.000	0.620	0.625	0.905	0.160	0.125	0.313	2.480	0.118	1.153	25,000	5,610	3.75
100-2SYNO	115503	1.250	0.744	0.750	0.996	0.176	0.164	0.375	3.008	0.165	1.408	39,060	8,600	4.66

NOTE: Renold Syno® does not conform exactly to British Standard/ANSI standards. A larger bushing and thus a smaller pin diameter are needed to meet the high performance requirements. However, all gearing dimensions of Renold Syno® do comply with British Standard/ANSI standards. Consult Renold Jeffrey for specific requirements.

Triple-strand Syno® is available on request. Double-strand Syno® fits standard double-strand sprockets.



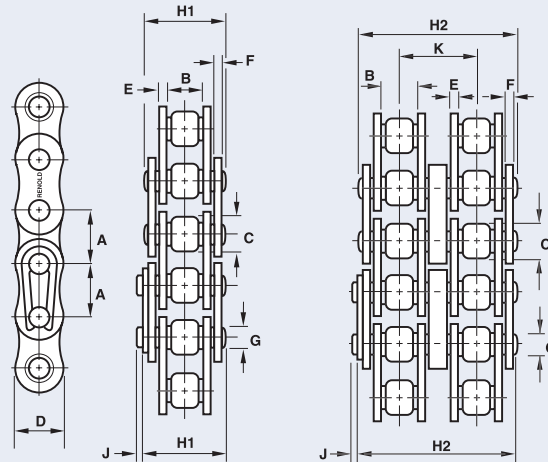
Syno® Double Pitch chains are ideally suited for light- to medium-duty applications when cleanliness is critical. Syno® offers uncompromised performance with no additional lubrication. Both the lubricant within the sintered bushing and the coating on the roller are food-industry approved. Improved, electroless nickel-plating on the plates won't chip or peel, for ultimate performance in the food sector and beyond. Small-pitch Syno® is dry to the touch, resists corrosion, and is interchangeable with ANSI standard chain.

Syno® Double Pitch Conveyor Series Chain

Dimensions are in inches unless otherwise indicated.

Chain No.	Renold No.	Pitch	Inside Width Max	Roller Diam Max	Plate Height Max	Inner Plate Thick Max	Outer Plate Thick Max	Pin Diam Max	Pin Length Max	Conn Link Exten Max	Trans Pitch	Tensile Strength Max	Rated Working Load	Weight
		A	B	C	D	E	F	G	H	J	K	Lbs	Lbs	Lbs/Ft
C2040SYNO	113440	1.000	0.309	0.312	0.465	0.060	0.060	0.156	0.701	0.055	—	3,125	810	0.33
C2050SYNO	113450	1.250	0.370	0.400	0.591	0.080	0.080	0.200	0.859	0.043	—	4,880	1,400	0.56
C2060SYNO	113460	1.500	0.495	0.469	0.701	0.125	0.125	0.235	1.127	0.043	—	7,030	1,950	1.01
C2080SYNO	113480	2.000	0.620	0.625	0.890	0.156	0.156	0.313	1.411	0.118	—	12,500	3,300	1.61

Syno® Small Pitch British Standard chain offers uncompromised performance with no additional lubrication. Use small-pitch Syno® when cleanliness is critical. Both the lubricant within the sintered bushing and the coating on the roller are food-industry approved. Improved, electroless nickel-plating on the plates won't chip or peel, for ultimate performance in the food sector and beyond. Small-pitch Syno® British Standard chain is dry to the touch, resists corrosion, and is interchangeable with standard British Standard chain.



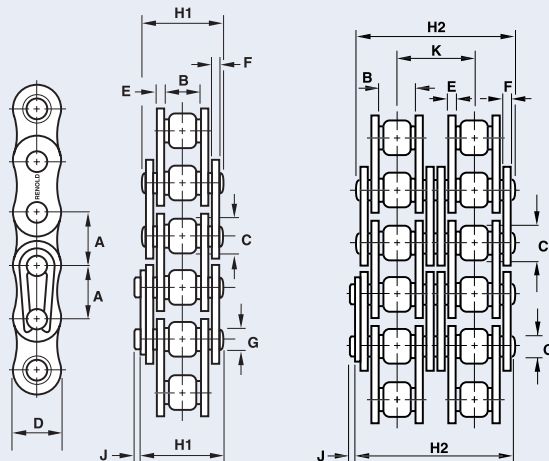
Syno® British Standard Single-Strand Roller Chain — Small Pitch

Dimensions are in inches unless otherwise indicated.

Chain No.	Renold No.	Pitch	Inside Width Max	Roller Diam Max	Plate Height Max	Inner Plate Thick Max	Outer Plate Thick Max	Pin Diam Max	Pin Length Max	Conn Link Exten Max	Trans Pitch	Tensile Strength Max	Rated Working Load	Weight
		A	B	C	D	E	F	G	H1	J	K	Lbs	Lbs	Lbs/Ft
06BSYNO	110438	0.375	0.225	0.250	0.325	0.051	0.041	0.129	0.493	0.051	—	2,001	395	0.27
08BSYNO	110446	0.500	0.305	0.335	0.465	0.071	0.061	0.175	0.669	0.079	—	4,001	700	0.49
10BSYNO	110456	0.625	0.380	0.400	0.580	0.080	0.061	0.200	0.772	0.094	—	4,991	1,100	0.68
12BSYNO	110466	0.750	0.460	0.475	0.635	0.095	0.071	0.225	0.929	0.098	—	6,497	1,575	0.87
16BSYNO	110488	1.000	0.670	0.625	0.830	0.148	0.120	0.326	1.378	0.161	—	13,488	2,810	1.82
20BSYNO	110506	1.250	0.770	0.750	1.040	0.176	0.164	0.400	1.630	0.142	—	21,356	4,370	2.51
24BSYNO	110527	1.500	1.000	1.000	1.315	0.239	0.192	0.576	2.071	0.201	—	35,968	6,130	4.93

Syno® British Standard Double-Strand Roller Chain — Small Pitch

Chain No.	Renold No.	Pitch	Inside Width Max	Roller Diam Max	Plate Height Max	Inner Plate Thick Max	Outer Plate Thick Max	Pin Diam Max	Pin Length Max	Conn Link Exten Max	Trans Pitch	Tensile Strength Max	Rated Working Load	Weight
		A	B	C	D	E	F	G	H2	J	K	Lbs	Lbs	Lbs/Ft
06B-2SYNO	114438	0.375	0.225	0.250	0.325	0.051	0.041	0.129	0.906	0.051	0.403	3,799	670	0.51
08B-2SYNO	114446	0.500	0.305	0.335	0.465	0.071	0.061	0.175	1.217	0.079	0.548	6,991	1,185	0.94
10B-2SYNO	114456	0.625	0.380	0.400	0.580	0.080	0.061	0.200	1.425	0.094	0.653	10,004	1,870	1.29
12B-2SYNO	114466	0.750	0.460	0.475	0.635	0.095	0.071	0.225	1.697	0.098	0.766	12,993	2,680	1.66
16B-2SYNO	114488	1.000	0.670	0.625	0.830	0.148	0.120	0.326	2.630	0.161	1.255	23,829	4,780	3.62
20B-2SYNO	114506	1.250	0.770	0.750	1.040	0.176	0.164	0.400	3.067	0.142	1.435	38,216	7,430	4.73
24B-2SYNO	114527	1.500	1.000	1.000	1.315	0.239	0.192	0.576	3.976	0.201	1.904	62,944	10,270	9.86



Syno® Large Pitch chain for heavy-duty applications was developed specifically for Renold Jeffrey. A highly durable polymer sleeve between the pin and bushing combats wear and fatigue. Combined with a heavy-duty polymer roller, Renold Syno® is ideal for high-load, washdown, and outdoor environments.

Syno® Single-Strand Roller Chain — Large Pitch

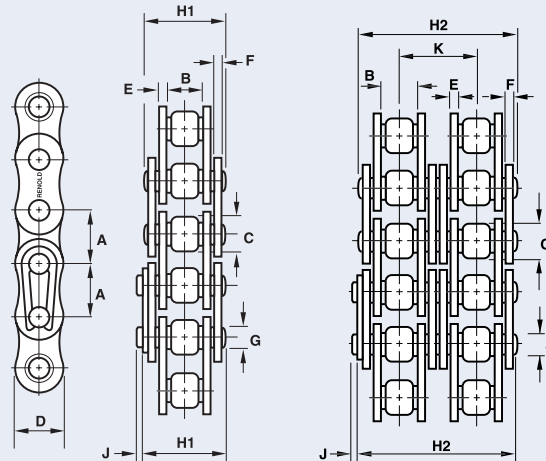
Dimensions are in inches unless otherwise indicated.

Chain No.	Renold No.	Pitch	Inside Width Max	Roller Diam Max	Plate Height Max	Inner Plate Thick Max	Outer Plate Thick Max	Pin Diam Max	Pin Length Max	Conn Link Exten Max	Trans Pitch	Tensile Strength Max	Rated Working Load	Weight
		A	B	C	D	E	F	G	H1	J	K	Lbs	Lbs	Lbs/Ft
120SYNO	529127	1.500	0.993	0.875	1.425	0.187	0.187	0.437	1.942	0.209	—	28,125	6,900	3.35
140SYNO	529143	1.750	0.993	1.000	1.663	0.219	0.219	0.500	1.084	0.205	—	38,280	9,000	4.63
160SYNO	529163	2.000	1.242	1.125	1.900	0.250	0.250	0.563	2.486	0.256	—	50,000	11,900	6.17
200SYNO	529203	2.500	1.490	1.562	2.375	0.320	0.320	0.782	3.030	0.355	—	78,125	16,000	10.06

Syno® Double-Strand Roller Chain — Large Pitch

Chain No.	Renold No.	Pitch	Inside Width Max	Roller Diam Max	Plate Height Max	Inner Plate Thick Max	Outer Plate Thick Max	Pin Diam Max	Pin Length Max	Conn Link Exten Max	Trans Pitch	Tensile Strength Max	Rated Working Load	Weight
		A	B	C	D	E	F	G	H2	J	K	Lbs	Lbs	Lbs/Ft
120-2SYNO	525127	1.500	0.993	0.875	1.425	0.187	0.187	0.437	3.731	0.209	1.789	56,250	11,560	7.38
140-2SYNO	525143	1.750	0.993	1.000	1.663	0.219	0.219	0.500	4.010	0.205	1.924	76,560	15,300	10.39
160-2SYNO	525163	2.000	1.242	1.125	1.900	0.250	0.250	0.563	4.790	0.256	2.305	100,000	20,230	13.81
200-2SYNO	525203	2.500	1.490	1.562	2.375	0.320	0.320	0.782	5.851	0.355	2.817	156,250	27,200	23.07

Syno® Large Pitch chain for heavy-duty applications was developed specifically for Renold Jeffrey. A highly durable polymer sleeve between the pin and bushing combats wear and fatigue. Combined with a heavy-duty polymer roller, Renold Syno® is ideal for high-load, washdown, and outdoor environments.



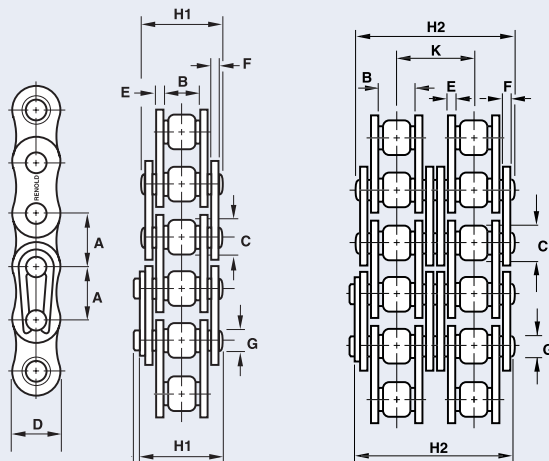
Syno® British Standard Single-Strand Roller Chain — Large Pitch

Dimensions are in inches unless otherwise indicated.

Chain No.	Renold No.	Pitch	Inside Width Max	Roller Diam Max	Plate Height Max	Inner Plate Thick Max	Outer Plate Thick Max	Pin Diam Max	Pin Length Max	Conn Link Exten Max	Trans Pitch	Tensile Strength Max	Rated Working Load	Weight
		A	B	C	D	E	F	G	H1	J	K	Lbs	Lbs	Lbs/Ft
28BSYNO	520147	1.750	1.221	1.101	1.460	0.300	0.250	0.626	2.528	0.268	—	44,960	7,650	5.43
32BSYNO	520166	2.000	1.221	1.151	1.665	0.280	0.250	0.702	2.496	0.315	—	56,200	8,740	6.03
40BSYNO	520206	2.500	1.548	1.551	2.085	0.320	0.320	0.902	3.079	0.374	—	79,804	12,800	9.59

Syno® British Standard Double-Strand Roller Chain — Large Pitch

Chain No.	Renold No.	Pitch	Inside Width Max	Roller Diam Max	Plate Height Max	Inner Plate Thick Max	Outer Plate Thick Max	Pin Diam Max	Pin Length Max	Conn Link Exten Max	Trans Pitch	Tensile Strength Max	Rated Working Load	Weight
		A	B	C	D	E	F	G	H2	J	K	Lbs	Lbs	Lbs/Ft
28B-2SYNO	524147	1.750	1.221	1.101	1.460	0.300	0.250	0.626	4.870	0.268	2.345	80,928	13,000	12.47
32B-2SYNO	524166	2.000	1.221	1.151	1.665	0.280	0.250	0.701	4.803	0.315	2.305	101,160	14,850	13.48
40B-2SYNO	524206	2.500	1.548	1.551	2.085	0.320	0.320	0.901	5.925	0.374	2.846	79,804	21,760	19.35



The original self-lubricating chain. MSL® chain features oversized oil-impregnated sintered steel bushings that release oil during operation and absorb oil when the chain stops.

MSL® chains are dimensionally interchangeable with ANSI standard chains and operate on the same sprockets.

MSL® Self-Lubricating Single-Strand Roller Chain

Dimensions are in inches unless otherwise indicated.

Chain No.	Pitch	Inside Width	Roller Diam	Plate Height	Inner Plate Thick	Outer Plate Thick	Pin Diam	Pin Length	Trans Pitch	Ave Ultimate Strength	Rated Working Load	Weight
	A	B	C	D	E	F	G	H1	K	Lbs	Lbs	Lbs/Ft
40MSL	0.500	0.313	0.312	0.472	0.060	0.060	0.156	0.682	—	3,000	550	0.42
50MSL	0.625	0.375	0.400	0.591	0.080	0.080	0.200	0.863	—	5,200	900	0.69
60MSL	0.750	0.500	0.469	0.718	0.094	0.094	0.234	1.048	—	7,500	1,550	0.98
80MSL	1.000	0.625	0.625	0.949	0.125	0.125	0.312	1.388	—	13,000	2,650	1.75
100MSL	1.250	0.750	0.750	1.193	0.156	0.156	0.375	1.685	—	20,000	3,980	2.55
120MSL	1.500	1.000	0.875	1.430	0.187	0.187	0.437	2.095	—	30,000	5,740	3.75

MSL® Self-Lubricating Double-Strand Roller Chain

Chain No.	Pitch	Inside Width	Roller Diam	Plate Height	Inner Plate Thick	Outer Plate Thick	Pin Diam	Pin Length	Trans Pitch	Ave Ultimate Strength	Rated Working Load	Weight
	A	B	C	D	E	F	G	H2	K	Lbs	Lbs	Lbs/Ft
40-2MSL	0.500	0.313	0.312	0.472	0.060	0.060	0.156	1.248	0.567	6,000	950	0.86
50-2MSL	0.625	0.375	0.400	0.591	0.080	0.080	0.200	1.583	0.712	10,400	1,530	1.40
60-2MSL	0.750	0.500	0.469	0.718	0.094	0.094	0.234	1.945	0.898	15,000	2,600	2.10
80-2MSL	1.000	0.625	0.625	0.949	0.125	0.125	0.312	2.540	1.153	26,000	4,500	3.50