



# Specialty Chain

7

## Specialty Chain

**Renold Jeffrey crafts some of the finest specialty chains in the industry. Each is designed for long-lasting performance and maximum value.**

### Hollow Pin Chain

Renold Jeffrey offers the most complete line of Hollow Pin chain products to help solve a wide variety of challenging conveying problems. Our standard carbon steel chains, MSL chains, and Hydro-Service® chains all feature superior wear resistance and long-term operation. Our popular stainless steel chains offer reliable service in a variety of applications requiring superior corrosion and heat resistance.

### Straight Sidebar Roller Chain

These chains are identical to the ANSI standard series with the exception of flat rather than figure-8 shaped link plates. These chains weigh slightly more than standard roller chains and offer slightly increased fatigue strength. They are mainly used in conveyor applications where a flat side plate is desirable. Straight Sidebar chains are designated by adding the suffix "F" to the corresponding ANSI chain number.

### Sidebow Chain

Sidebow chains are produced with additional clearances to allow for a specified amount of sidebow and twist to operate in curved configurations. These chains are widely used for "live roll" conveyors with attachment or cross slats to convey material around a curve. Sidebow chains are designated by adding the suffix "SB" to the corresponding ANSI chain number.

### Rollerless Chain

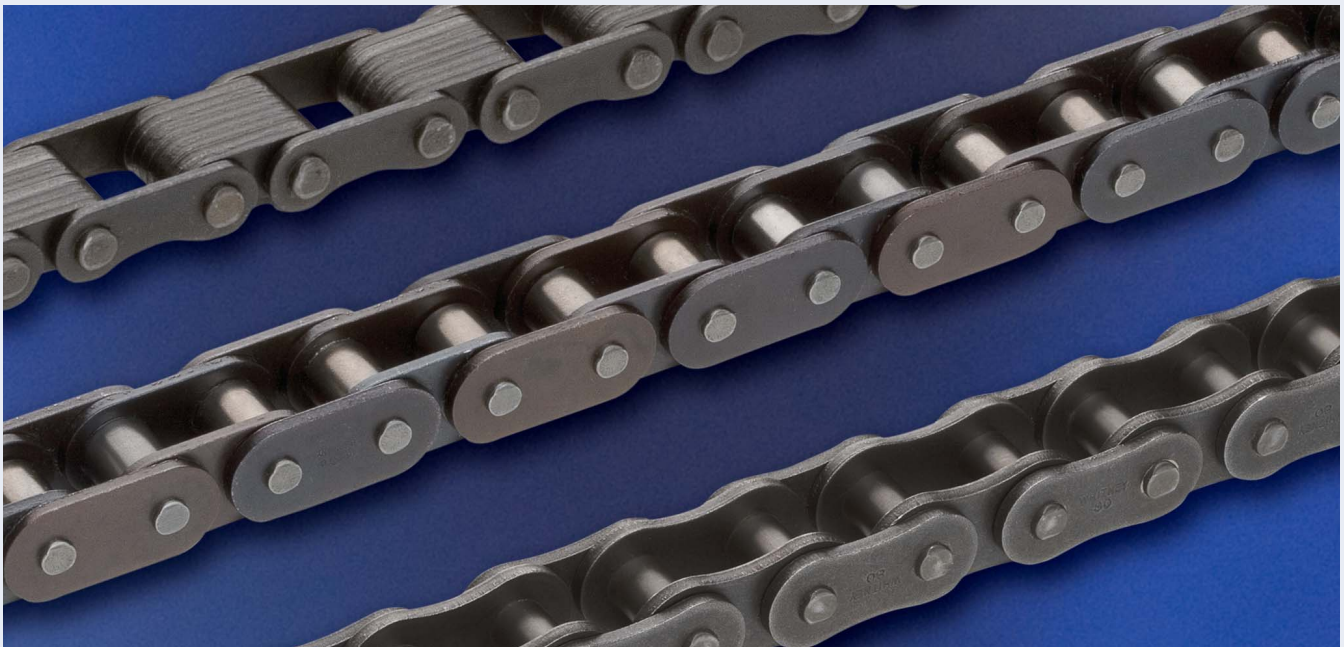
These chains possess the same strength and working load values as standard ANSI series chains. They are designed for tension linkage applications such as lifts or hoists and are usually supplied in odd numbers of pitches with a connecting link (drive fit recommended) at each end. Offset links are not recommended for hoist applications. The numbering system for rollerless chain substitutes the number 5 for the number 0 at the end of the corresponding ANSI chain number.

### Laminated 1"-Pitch Block Chain

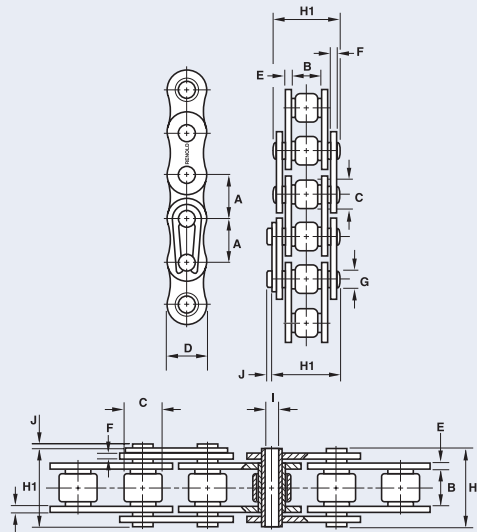
These chains are used in a variety of lightly loaded tension linkage or drive applications and are available in carbon steel or 304 stainless steel.

### Stainless Steel Miniature Chain

Miniature chains are available in 11SS and are well-suited for light-duty applications in a wide variety of business machines (copiers, printers, vending machines, etc.). The rollerless chains are made entirely of 304 Stainless Steel with bushings riveted in place for superior corrosion and temperature resistance.



Renold Jeffrey offers the most complete line of Hollow Pin chain products to help solve a wide variety of challenging conveying problems. Our standard carbon steel chains, MSL chains, and Hydro-Service® chains all feature cold-forged, solid hollow pins for superior wear resistance and seamless operation. Our popular stainless steel chains offer reliable service in a variety of applications requiring superior corrosion and heat resistance.



## Hollow Pin Roller Chain

Dimensions are in inches unless otherwise indicated.

Chain No.	Pitch	Inside Width Max	Roller Diam Max	Plate Height Max	Inner Plate Thick Max	Outer Plate Thick Max	Bore Diam Min	Pin Length Max	Conn Link Exten Max	Tensile Strength Min	Rated Working Load	Weight
	A	B	C	D	E	F	I	H1	J	Lbs	Lbs	Lbs/Ft
40HP	0.500	0.309	0.312	0.475	0.060	0.060	0.158	0.701	0.055	3,125	395	0.40
50HP	0.625	0.370	0.400	0.594	0.080	0.080	0.202	0.859	0.043	4,880	700	0.67
60HP	0.750	0.495	0.469	0.713	0.094	0.094	0.238	1.060	0.043	7,030	941	0.98
80HP	1.000	0.620	0.625	0.950	0.125	0.125	0.318	1.320	0.118	12,500	1,706	1.68

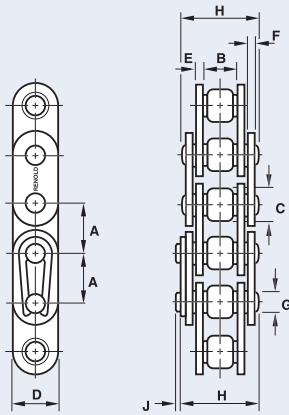
## Hollow Pin Conveyor Series Chain — Standard Roller

Chain No.	Pitch	Inside Width Max	Roller Diam Max	Plate Height Max	Inner Plate Thick Max	Outer Plate Thick Max	Bore Diam Min	Pin Length Max	Conn Link Exten Max	Tensile Strength Min	Rated Working Load	Weight
	A	B	C	D	E	F	I	H1	J	Lbs	Lbs	Lbs/Ft
C2040HP	1.000	0.309	0.312	0.475	0.060	0.060	0.158	0.701	0.055	3,125	395	0.31
C2050HP	1.250	0.370	0.400	0.594	0.080	0.080	0.202	0.859	0.043	4,880	700	0.50
C2060HP	1.500	0.495	0.469	0.713	0.094	0.094	0.238	1.060	0.043	7,030	941	0.74
C2080HP	2.000	0.620	0.625	0.950	0.125	0.125	0.318	1.320	0.118	12,500	1,706	1.34

## Hollow Pin Conveyor Series Chain — Large Roller

Chain No.	Pitch	Inside Width Max	Roller Diam Max	Plate Height Max	Inner Plate Thick Max	Outer Plate Thick Max	Bore Diam Min	Pin Length Max	Conn Link Exten Max	Tensile Strength Min	Rated Working Load	Weight
	A	B	C	D	E	F	I	H1	J	Lbs	Lbs	Lbs/Ft
C2042HP	1.000	0.309	0.625	0.475	0.060	0.060	0.158	0.701	0.055	3,125	395	0.54
C2052HP	1.250	0.370	0.750	0.594	0.080	0.080	0.202	0.859	0.043	4,880	700	0.84
C2062HP	1.500	0.495	0.875	0.713	0.094	0.094	0.238	1.060	0.043	7,030	941	1.21
C2082HP	2.000	0.620	1.125	0.950	0.125	0.125	0.318	1.320	0.118	12,500	1,706	2.14

## Straight Sidebar Roller Chain



These chains are identical to the ANSI standard series with the exception of flat rather than figure-8 shaped link plates. These chains weigh slightly more than standard roller chains and offer slightly increased fatigue strength. They are mainly used in conveyor applications where a flat side plate is desirable. Straight Sidebar chains are designated by adding the suffix "F" to the corresponding ANSI chain number.

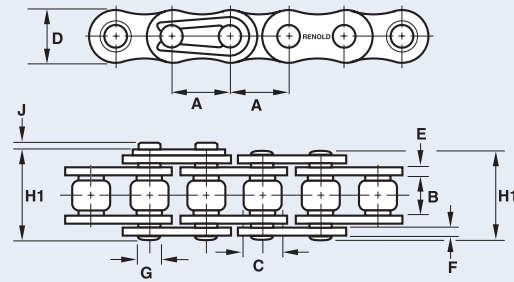
### Straight Sidebar Roller Chain

Dimensions are in inches unless otherwise indicated.

Chain No.	Pitch	Inside Width Max	Roller Diam Max	Plate Height Max	Inner Plate Thick Max	Outer Plate Thick Max	Pin Diam Max	Pin Length Max	Conn Link Exten Max	Tensile Strength Min	Rated Working Load	Weight
	A	B	C	D	E	F	G	H	J	Lbs	Lbs	Lbs/Ft
*35F	0.375	0.184	0.200	0.356	0.050	0.050	0.141	0.473	0.043	1,760	480	0.23
40F	0.500	0.309	0.312	0.475	0.060	0.060	0.156	0.646	0.055	3,125	810	0.44
50F	0.625	0.370	0.400	0.594	0.080	0.080	0.200	0.804	0.043	4,880	1,400	0.74
60F	0.750	0.495	0.469	0.713	0.094	0.094	0.235	0.997	0.043	7,030	1,950	1.09
80F	1.000	0.620	0.625	0.950	0.125	0.125	0.313	1.288	0.118	12,500	3,300	1.88
100F	1.250	0.744	0.750	1.188	0.156	0.156	0.375	1.564	0.165	19,530	5,060	2.91
120F	1.500	0.993	0.875	1.425	0.187	0.187	0.437	1.942	0.209	28,125	6,800	4.31
140F	1.750	0.993	1.000	1.663	0.219	0.219	0.500	2.084	0.205	38,280	9,000	5.56
160F	2.000	1.242	1.125	1.900	0.250	0.250	0.563	2.486	0.256	50,000	11,900	7.37

\*Rollerless Chain

Sidebow chains are produced with additional clearances to allow for a specified amount of sidebow and twist to operate in curved configurations. These chains are widely used for “live roll” conveyors with attachment or cross slats to convey material around a curve. Sidebow chains are designated by adding the suffix “SB” to the corresponding ANSI chain number.

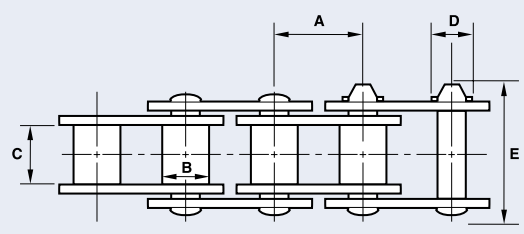


## Sidebow Chain

Dimensions are in inches unless otherwise indicated.

Chain No.	Pitch	Inside Width Max	Roller Diam Max	Plate Height Max	Inner Plate Thick Max	Outer Plate Thick Max	Pin Diam Max	Pin Length Max	Conn Link Exten Max	Bow Radius	Tensile Strength Min	Rated Working Load	Weight
	A	B	C	D	E	F	G	H1	J	R	Lbs	Lbs	Lbs/Ft
40SB	0.500	0.309	0.312	0.475	0.060	0.060	0.135	0.646	0.055	13.790	2,922	400	0.39
50SB	0.625	0.370	0.400	0.594	0.080	0.080	0.175	0.804	0.043	13.790	4,991	700	0.65
60SB	0.750	0.495	0.469	0.713	0.094	0.094	0.200	0.997	0.043	14.972	6,070	950	0.98
80SB	1.000	0.620	0.625	0.950	0.125	0.125	0.276	1.288	0.118	23.640	14,162	1,720	1.81

## Rollerless Chain



These chains possess the same strength and working load values as standard ANSI chains. They are designed for tension linkage applications such as lifts or hoists and are usually supplied in odd numbers of pitches with a connecting link (drive fit recommended) at each end. Offset links are not recommended for hoist applications. The numbering system for rollerless chain substitutes the number 5 for the number 0 at the end of the corresponding ANSI chain number.

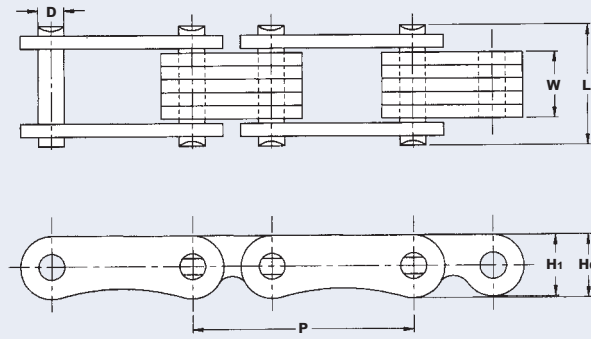
### Rollerless Chain

Dimensions are in inches unless otherwise indicated.

Chain No.	Pitch	Bush Diam	Inside Width	Plate Height Max	Inner Plate Thick Max	Outer Plate Thick Max	Pin Diam Max	Pin Length Max	Tensile Strength Min	Rated Working Load	Weight
	A	B	C				D	E	Lbs	Lbs	Lbs/Ft
65	0.750	0.500	0.330	0.691	0.094	0.094	0.234	1.048	9,900	1,950	0.81
85	1.000	0.625	0.448	0.921	0.125	0.125	0.312	1.388	17,600	3,300	1.41
105	1.250	0.750	0.533	1.154	0.156	0.156	0.375	1.685	26,400	5,060	2.08
125	1.500	1.000	0.627	1.382	0.187	0.187	0.437	2.095	39,000	6,800	3.04

# Laminated 1"-Pitch Block Chain

These chains are used in a variety of lightly loaded tension linkage or drive applications and are available in carbon steel or 304 stainless steel.

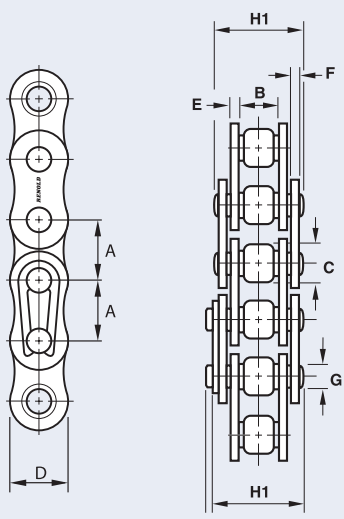


## Laminated 1"-Pitch Block Chain

Dimensions are in inches unless otherwise indicated.

Chain No.	Pitch	Inside Width Max	Pin Diam Max	Overall Length	Inner Link Height Max	Outer Link Height Max	Ave Ultimate Strength	Weight
		W	D	L	H <sub>1</sub>	H <sub>0</sub>	Lbs/Ft	Lbs
2B	1.000	0.125	0.187	0.330	0.333	0.341	2,200	0.200
2D	1.000	0.188	0.187	0.390	0.333	0.341	2,200	0.300
2F	1.000	0.250	0.187	0.450	0.333	0.341	2,500	0.300
2S	1.000	0.313	0.187	0.510	0.333	0.341	2,800	0.400
2U	1.000	0.375	0.187	0.580	0.333	0.341	3,000	0.500
2X	1.000	0.500	0.187	0.700	0.333	0.341	3,000	0.600

## Stainless Steel Miniature Chain



Miniature chains are available in 11SS and are well-suited for light-duty applications in a wide variety of business machines (copiers, printers, vending machines, etc.). The rollerless chains are made entirely of 304 Stainless Steel with bushings riveted in place for superior corrosion and temperature resistance.

### Stainless Steel Miniature Chain

Dimensions are in inches unless otherwise indicated.

Chain No.	Pitch	Inside Width Max	Roller Diam Max	Plate Height Max	Inner Plate Thick Max	Outer Plate Thick Max	Pin Diam Max	Pin Length Max	Tensile Strength Min	Rated Working Load	Weight
	A	B	C	D	E	F	G	H1	Lbs	Lbs	Lbs/Ft
11SS	0.1475	0.072	0.09	0.14	0.015	0.015	0.062	0.25	180	11	0.035